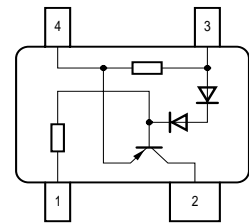
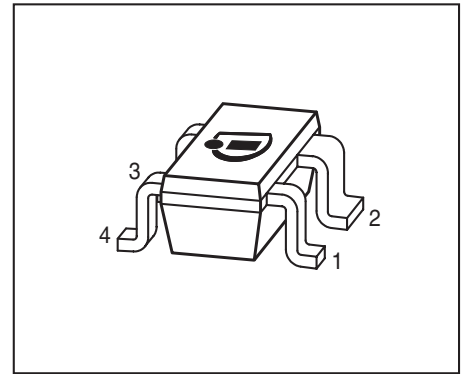


LED Driver

- Supplies stable bias current even at low battery voltage
- Suitable for PWM control up to 100kHz
- Ideal for stabilizing bias current of LEDs
- Negative temperature coefficient protects LEDs against thermal overload
- Pb-free (RoHS compliant) package¹⁾
- Qualified according AEC Q101


EHA07188

Type	Marking	Pin Configuration				Package
BCR402R	W6s	1 = GND	2 = I_{out}	3 = V_S	4 = R_{ext}	SOT143R

Maximum Ratings

Parameter	Symbol	Value	Unit
Source voltage	V_S	18	V
Output current	I_{out}	60	mA
Output voltage	V_{out}	16	V
Reverse voltage between all terminals	V_R	0.5	
Total power dissipation, $T_S = 84\text{ °C}$	P_{tot}	330	mW
Junction temperature	T_j	150	°C
Storage temperature	T_{stg}	-65 ... 150	

Thermal Resistance

Parameter	Symbol	Value	Unit
Junction - soldering point ²⁾	R_{thJS}	≤ 200	K/W

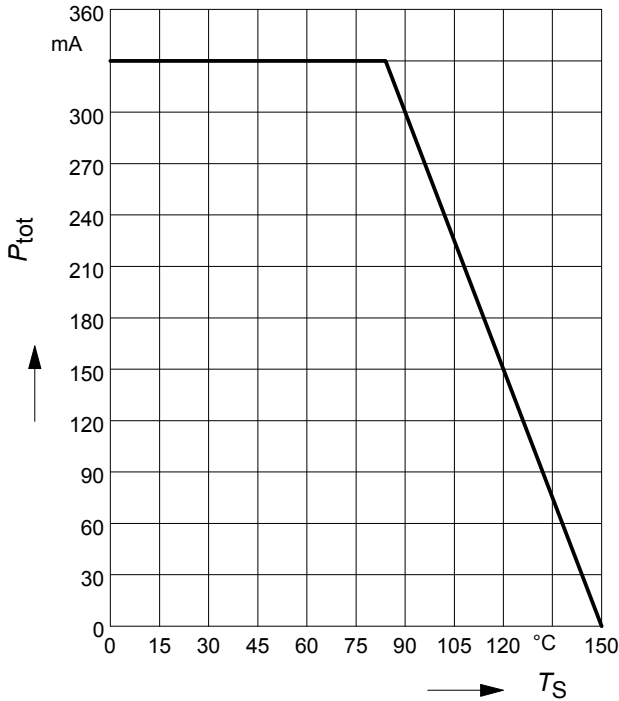
¹Pb-containing package may be available upon special request

²For calculation of R_{thJA} please refer to Application Note Thermal Resistance

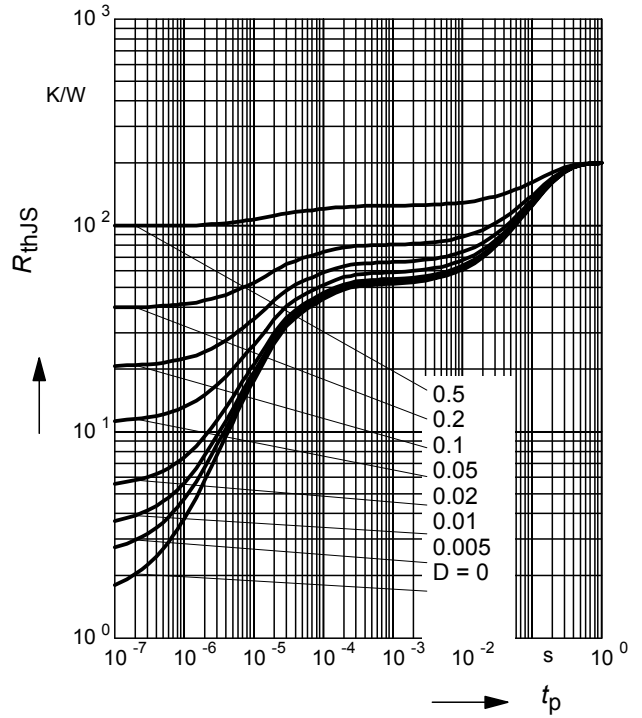
Electrical Characteristics at $T_A=25^\circ\text{C}$, unless otherwise specified

Parameter	Symbol	Values			Unit
		min.	typ.	max.	
Characteristics					
Supply current $V_S = 10\text{ V}$	I_S	350	440	540	μA
Output current $V_S = 10\text{ V}, V_{\text{out}} = 7.6\text{ V}$	I_{out}	18	20	22	mA
DC Characteristics with stabilized LED load					
Lowest sufficient battery voltage overhead $I_{\text{out}} > 18\text{mA}$	$V_{S\text{min}}$	-	1.4	-	V
Voltage drop ($V_S - V_{\text{CE}}$) $I_{\text{out}} = 20\text{ mA}$	V_{drop}	-	0.75	-	
Output current change versus T_A $V_S = 10\text{ V}$	$\Delta I_{\text{out}}/I_{\text{out}}$	-	-0.3	-	%/K
Output current change versus V_S $V_S = 10\text{ V}$	$\Delta I_{\text{out}}/I_{\text{out}}$	-	2	-	%/V

Total power dissipation $P_{tot} = f(T_S)$

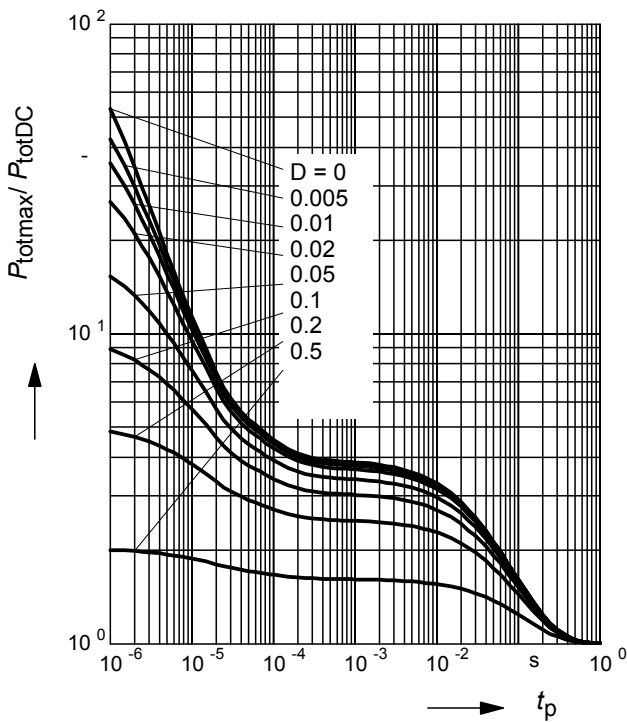


Permissible Pulse Load $R_{thJS} = f(t_p)$



Permissible Pulse Load

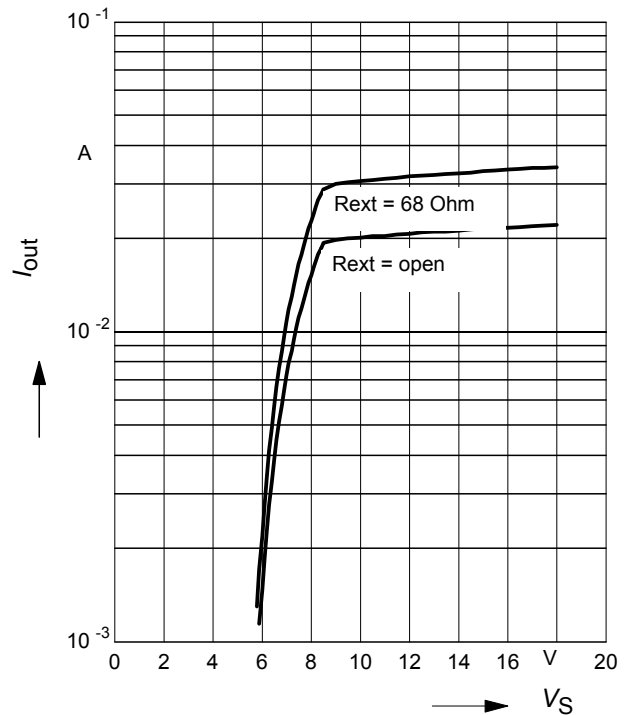
$P_{totmax} / P_{totDC} = f(t_p)$



Output current versus supply voltage

$I_{out} = f(V_S); R_{ext} = \text{Parameter}$

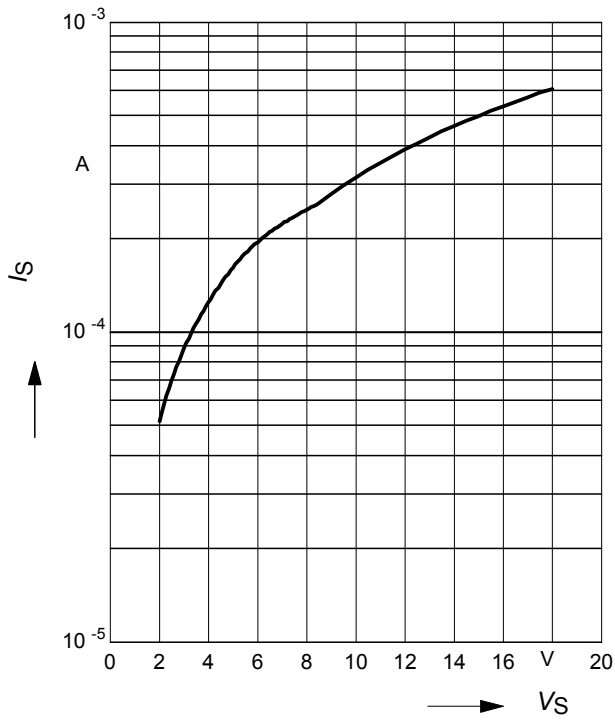
Load: two LEDs with $V_F = 3.8V$ in series



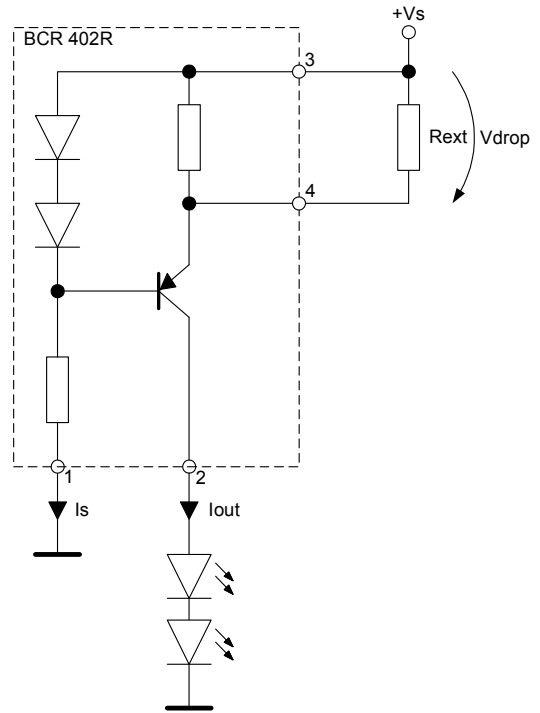
Supply current versus supply voltage

$$I_S = f(V_S)$$

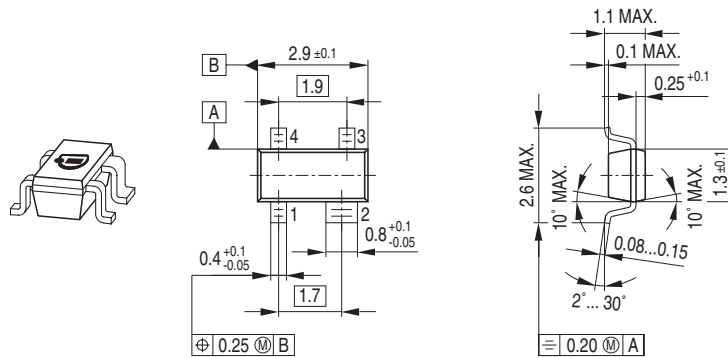
Load: two LEDs with $V_F = 3.8V$ in series



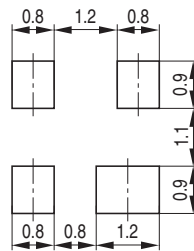
Application Circuit:



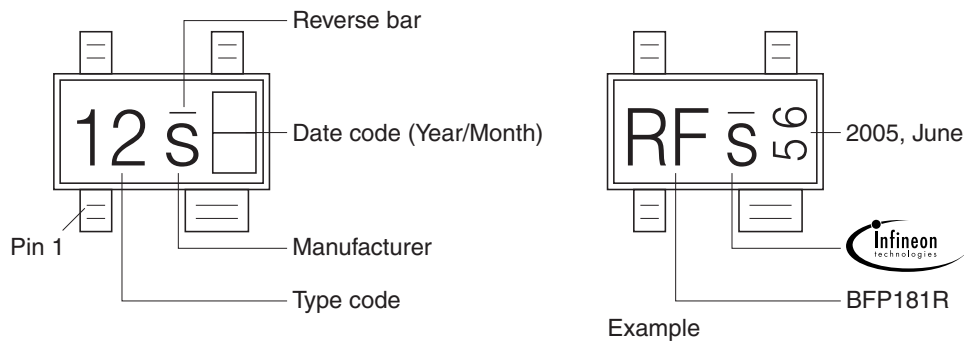
Package Outline



Foot Print

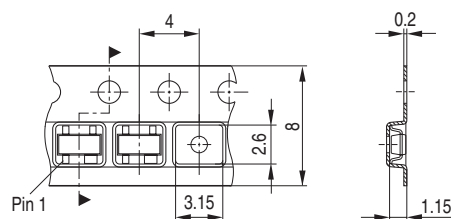


Marking Layout



Standard Packing

Reel \varnothing 180 mm = 3.000 Pieces/Reel
 Reel \varnothing 330 mm = 10.000 Pieces/Reel



Published by
Infineon Technologies AG
81726 München, Germany
© Infineon Technologies AG 2007.
All Rights Reserved.

Attention please!

The information given in this data sheet shall in no event be regarded as a guarantee of conditions or characteristics ("Beschaffenheitsgarantie"). With respect to any examples or hints given herein, any typical values stated herein and/or any information regarding the application of the device, Infineon Technologies hereby disclaims any and all warranties and liabilities of any kind, including without limitation warranties of non-infringement of intellectual property rights of any third party.

Information

For further information on technology, delivery terms and conditions and prices please contact your nearest Infineon Technologies Office (www.infineon.com).

Warnings

Due to technical requirements components may contain dangerous substances. For information on the types in question please contact your nearest Infineon Technologies Office.

Infineon Technologies Components may only be used in life-support devices or systems with the express written approval of Infineon Technologies, if a failure of such components can reasonably be expected to cause the failure of that life-support device or system, or to affect the safety or effectiveness of that device or system.

Life support devices or systems are intended to be implanted in the human body, or to support and/or maintain and sustain and/or protect human life. If they fail, it is reasonable to assume that the health of the user or other persons may be endangered.